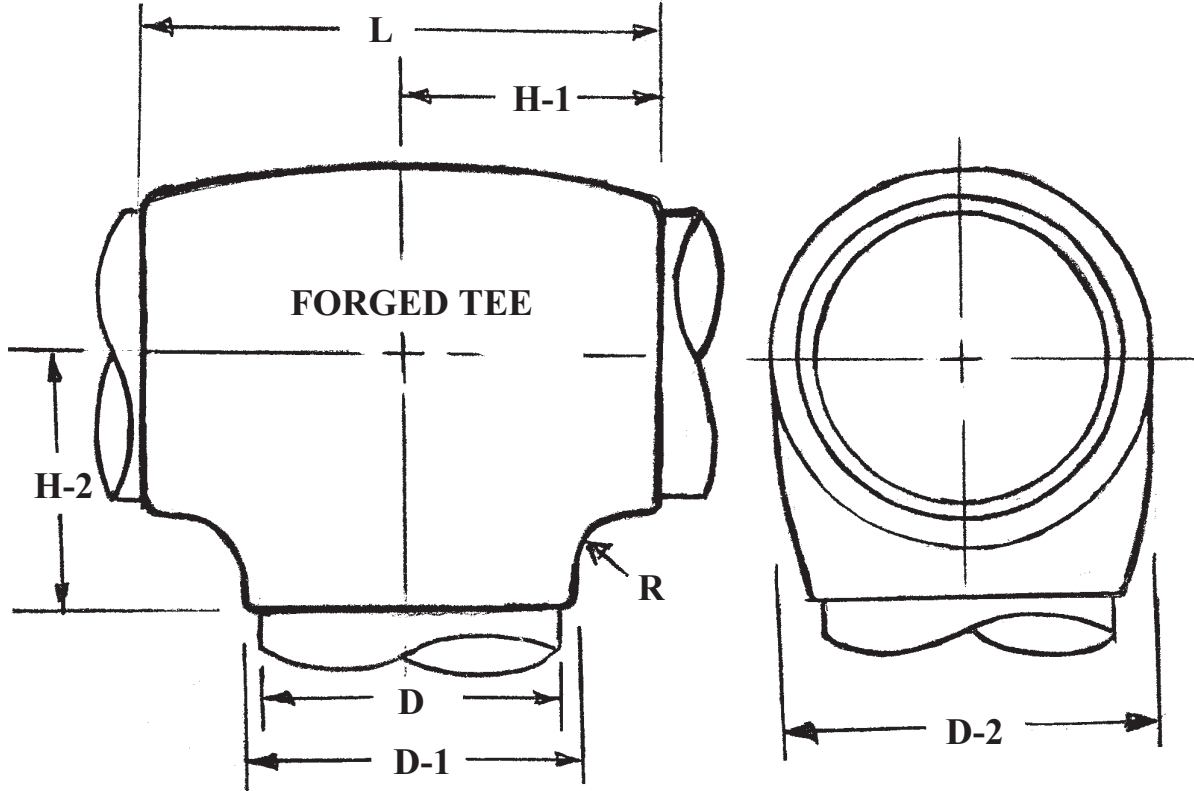




Insulation Materials

**Reference Bulletins  
CBI Bulletin No. 6  
Fax Sheet for  
Forged Tee Dimensions**

Please fill in all the dimensions between the arrows and fax to Cook Brothers.



Forged Tee Dimension Chart							
Iron Pipe Size	D Pipe OD	D-1 End OD	D-2 Max OD	L	H-1	H-2	R Radius